



# ANEXO - I

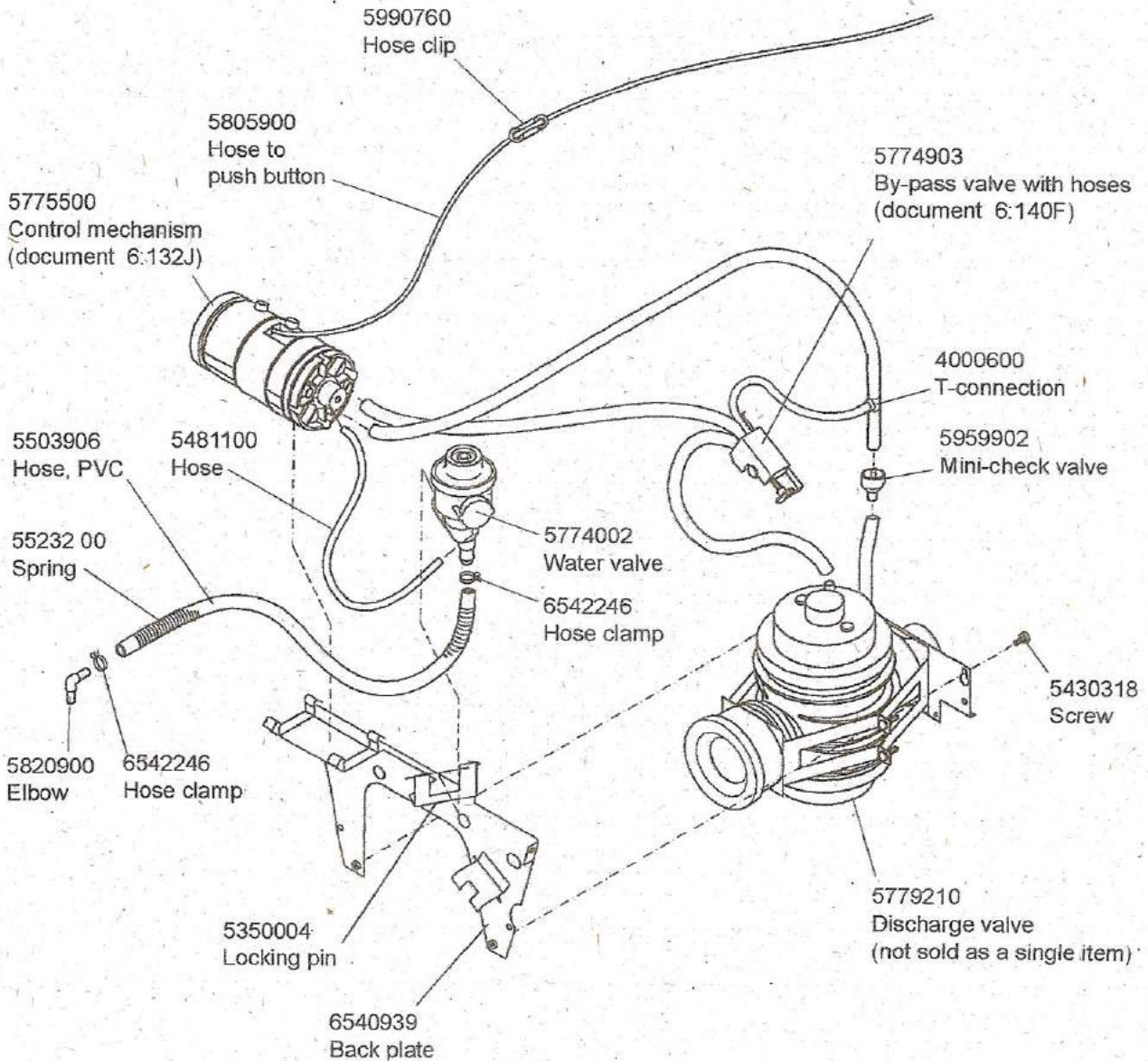
Date: 01 Dec 2010	Doc. 6:143 i
SPARE PARTS	

## VACUUM TOILET

5780000 BACK PLATE ASSEMBLY, EVAC 90, WALL MODELS

P/N 5800000 is replaced by P/N 5780000

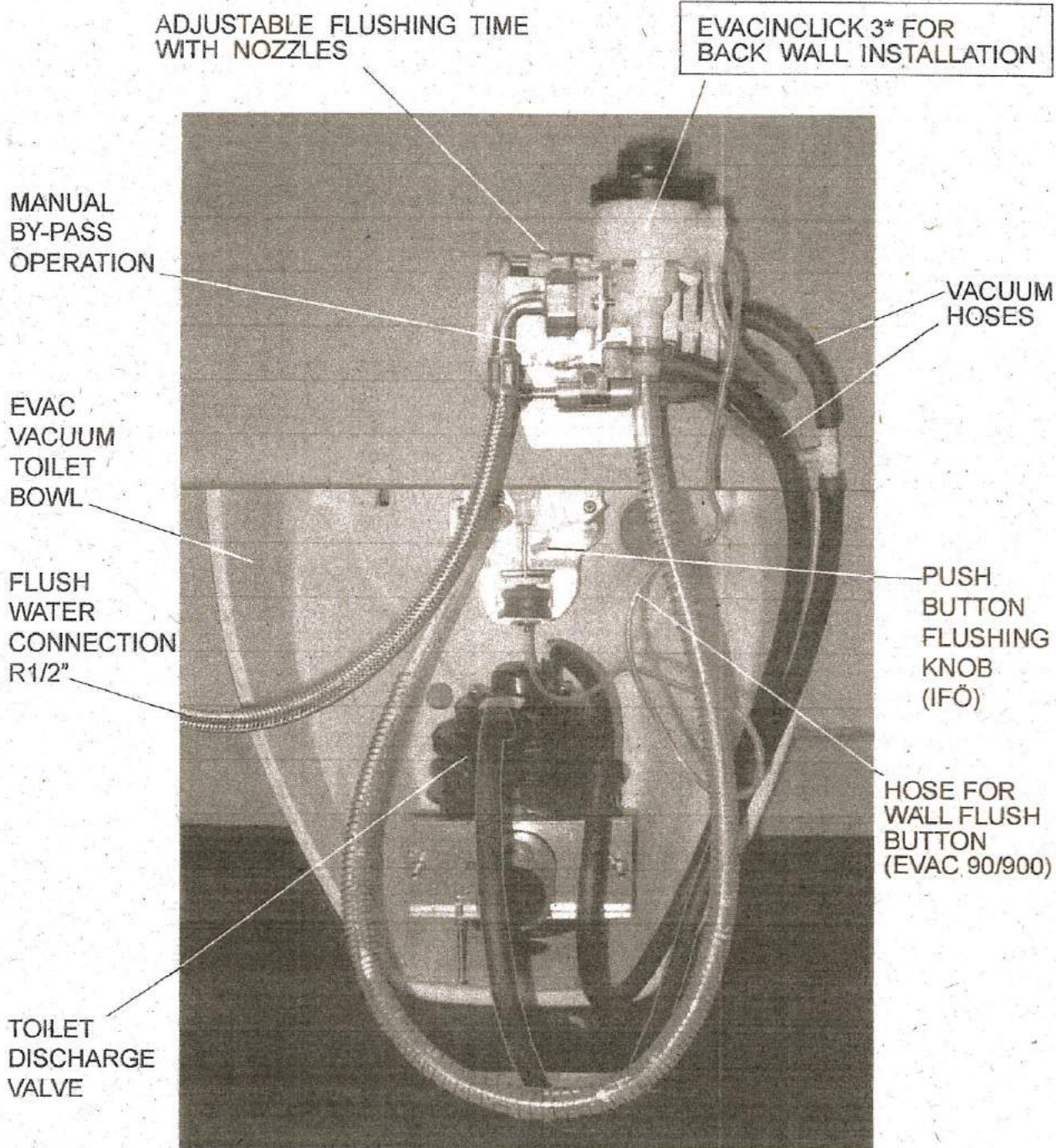
P/N 5779210 Discharge valve (not sold as a single item) and P/N 6542958 EvacInflux 1 (not sold as a single item) are replaced by P/N 6544801 EvacInflux silent valve.





## VACUUM TOILET

6542341 EVACINCLICK 3\* FOR IFÖ, EVAC 90 AND EVAC 900 TOILETS



\* EVACINCLICK 3 IS ALWAYS DELIVERED WITH A BY-PASS VALVE



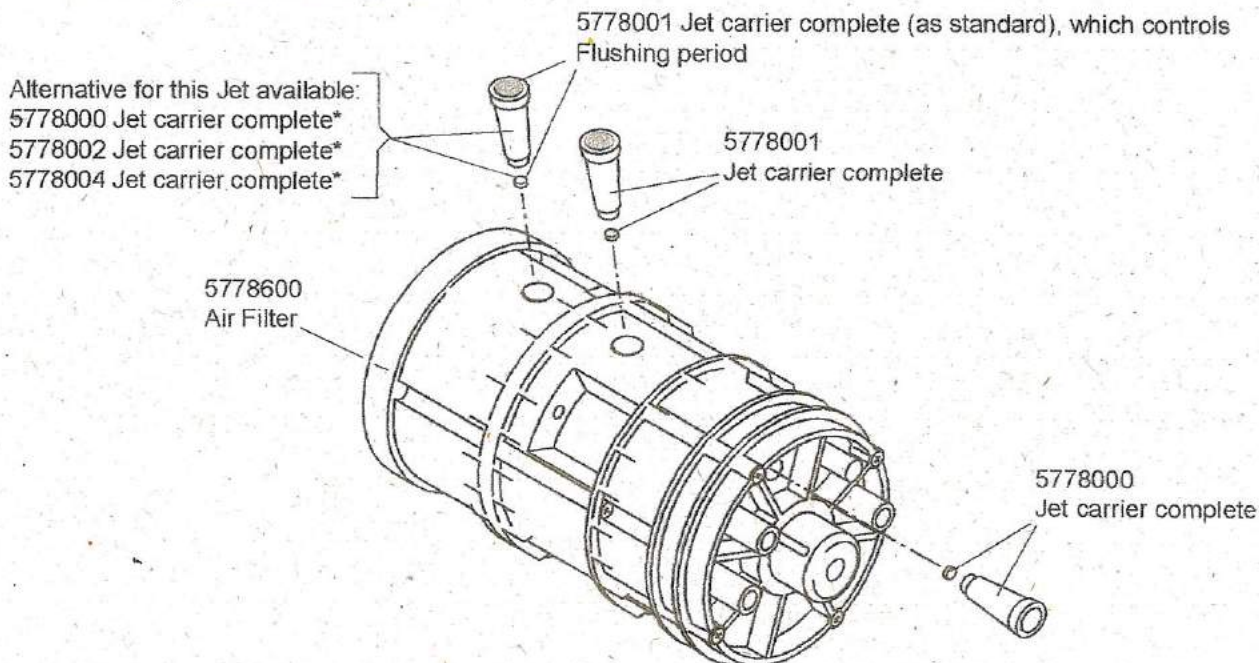
## VACUUM TOILET

5775500 CONTROL MECHANISM

5881000 SPARE PART KIT FOR CONTROL MECHANISM (EVAC 90 AND 900 MODEL TOILETS)

6546688 SPARE PART KIT FOR CONTROL MECHANISM (EVAC 910 MODEL TOILETS, STAINLESS STEEL TOILET)

### P/N 5775500 Control mechanism



#### \*Jet Carrier identification:

P/N	Colour	Size	Effect
5778004	Yellow	0.20	Extra long Flushing period
5778000	White	0.30	Long Flushing period
5778001	Blue	0.40	Normal Flushing period
5778002	Red	0.50	Short Flushing period

! NOTE: See also the operation and maintenance documents:

Doc.no 3:111D, Control mechanism (Evac 90 and 900 model toilets)

Doc.no 002032-2, Control mechanism (Evac 910 model toilets)

Doc.no 002474-2, Control mechanism (Evac 910 Stainless steel toilets)

### P/N 5881000 Spare part kit (Evac 90 and 900 model toilets)

P/N	Description	Pcs
5778600	Air Filter	1
5778001	Jet carrier complete	2
5778000	Jet carrier complete	1
5778700	Filter	1
5959902	Mini-check valve	1

### P/N 6546688 Spare part kit (Evac 910 model toilets)

P/N	Description	Pcs
5778600	Air Filter	1
5778001	Jet carrier complete	2
5778000	Jet carrier complete	1
5778700	Filter	1
6545052	Mini-check valve kit	1



# ANEXO - I

Date: 03 Nov 2010

Doc. 6:01102G

## SPARE PARTS

### VACUUM TOILET

6542341 EVACINCLICK 3 FOR IFÖ / EVAC 90 / EVAC 900 TOILETS

